

👁 Note!

These shocks are designed to be used with 3.5-5" lift springs and 4" bump stop spacers. It is important that you use the recommended bump stop spacers. If you use less, you will bottom out the shock. If you use more, you will not be able to use the PDS function.

👁 Note!

Since these shocks are designed to be used on a lifted Jeep Wrangler JK, you need to carefully check that everything clears and does not bind. Such as brake hoses, sway bar end links, drive shaft and so on.

👁 Note!

This kit was developed on a 2012 Jeep Wrangler JK with 37x12.5 R17 tyres.

👁 Note!

Please note that this image is a general representation of the product and may differ slightly from your product.

👁 Note!

Please note that during storage and transportation, especially at high ambient temperature, some of the oil and grease used for assembling may leak and stain the packaging. This is in no way detrimental to the product, wipe off the excessive oil/grease with a cloth.

👁 Note!

Before installing this product, check the contents of the kit. If anything is missing, please contact an Öhlins dealer.

⚠ Warning!

Before installing this product, read the Öhlins Owner's Manual. The shock absorber is an important part of the vehicle and the vehicle stability.

⚠ Warning!

Carefully read, understand and follow the instructions provided in this manual, and keep it in a safe place for future reference. If you have any doubt whatsoever regarding the installation or maintenance of your Öhlins shocks, please see your retailer for assistance or advice. Failure to follow the warnings and instructions provided herein can result in the failure of the suspension system, or can cause you to lose control of your vehicle, resulting in an accident, severe personal injury or death. These instructions should remain in the vehicle glove box for future reference

⚠ Warning!

If you do not have the tools or are unsure of your abilities, have this system installed by a certified technician. ÖHLINS IS NOT RESPONSIBLE FOR DAMAGE OR FAILURE RESULTING FROM AN IMPROPER INSTALLATION.



Kit Contents

	Description	Part No	Pcs
1	Shock absorber front	JEV 5V00	2
2	Upper shock bracket	25654-13	2
3	Reservoir bracket	25654-16	2
4	Reservoir bracket, plastic	05378-20	2
5	M5 bolt, 20mm	01046-55	4
6	M5 bolt, 16mm	01046-18	8
7	M5 lock nut	00430-04	12
8	M12 bolt, 95mm	01046-68	2
9	M12 bolt, 70mm	00429-32	2
10	M12 bolt, 25mm	00382-51	6
11	M12 flange & lock nut	24618-11	10
12	Washer 12mm	24619-03	10
13	Sticker set	10207-01	1
14	Sticker ÖHLINS blue/yellow	11221-01	2
15	Owners manual	07440-06	1

Shock absorber Kit for Jeep Wrangler JK – front

JEV M V 00

Mounting Instructions



MOUNTING INSTRUCTIONS

⚠ Warning!

If working on a raised vehicle, ensure that it is securely supported to prevent it from tipping over.

👁 Note!

When working on this product, see the Vehicle Service Manual for vehicle specific procedures and important data.

1

Lift the vehicle so the axle is at full droop and support it. Unbolt the upper shock nut, the lower shock bolt and remove the OEM shock absorbers.

🚫 Caution!

Ensure the vehicle and axle are securely supported. Make sure the front axle does not drop and stretch the brake hoses.

2 - Installation upper shock bracket

Install the upper shock bracket and tighten the two M12x25mm bolts keeping the bracket in position. Use a punch and mark the center of the lower 3rd hole. Remove the bracket and drill a 12 mm (1/2") hole in the shock tower. Coat the new drilled hole to prevent corrosion and install the bracket with: 3 x M12x25 bolts. 3 x 12mm washers. 3 x M12 lock nuts. See fig 1.

2

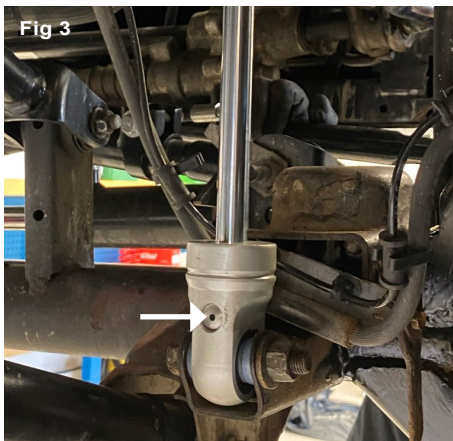
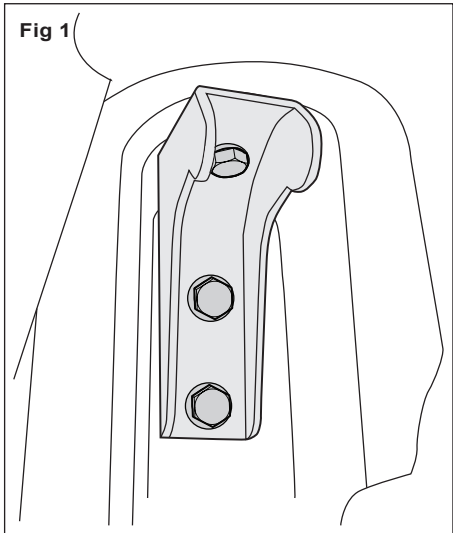
Install the shock with a M12x70mm bolt, a 12mm washer and a lock nut at the upper bracket. Make sure the hose outlet is facing out towards the wheel. See fig 2.

3

Position the shock end eye so the Rebound adjuster is facing away from the axle. Install the OEM bolt at the lower bracket and tighten the nut. See Fig 3.

4

Route the reservoir towards the front and make sure there are no sharp edges that could damage the hose.



MOUNTING INSTRUCTIONS

5 - Reservoir installation

Install the reservoir brackets (plastic) to the reservoir bracket using the 4x M5x16mm screws and 4x M5 nuts. See fig 4.

6

Insert the reservoir into the clamp brackets with the compression adjuster knob facing outwards. See fig 4.

7

Install and tighten the 2x M5x20mm screws and 2x M5 lock nut to the reservoir brackets (plastic).

8

When you have fitted the reservoir to the reservoir bracket - Install the assembly to the frame by using the 2x M12x95mm bolts, two 12mm washers and 2x M12 flange nuts through the holes in the reservoir bracket and through the frame. On the driver side, remove the two steering box bolts - install the reservoir bracket - and install the bolts again. Tighten them to OE torque.

👁 Note!

You need to modify the inner fenders to make space for the reservoir. Make sure there are no sharp edges that may interfere with the hose or the shock absorber. Make sure the wheel does not hit the reservoir at full lock and fully flexed.

⚠ Warning!

Make sure that the hose is not touching the spring or other moving parts!

9

Install the wheels and steer lock to lock. Make sure the wheel doesn't hit the reservoir.

👁 Note!

Make sure that all bolts are tightened to the correct torque and that nothing fouls or restricts when the shock is being fully compressed and extended. Test this over the whole steering range from lock to lock.

10

Make sure that all removed parts are reinstalled in the same way as they were before the installation of the Öhlins shock absorber.



ADJUSTMENTS

⚠ Warning!

Before riding, always make sure that the basic settings made by Öhlins are according to the recommended Setup data. Read about adjustments and settings in the Öhlins Owner's Manual before you make any adjustments. Contact an Öhlins dealer if you have any questions about setting up.

SETUP DATA

Recommended setups

Paved roads/highway:		
Compression damping	10	clicks
Rebound damping	10	clicks

Gravel roads/ offroad:		
Compression damping	20	clicks
Rebound damping	30	clicks

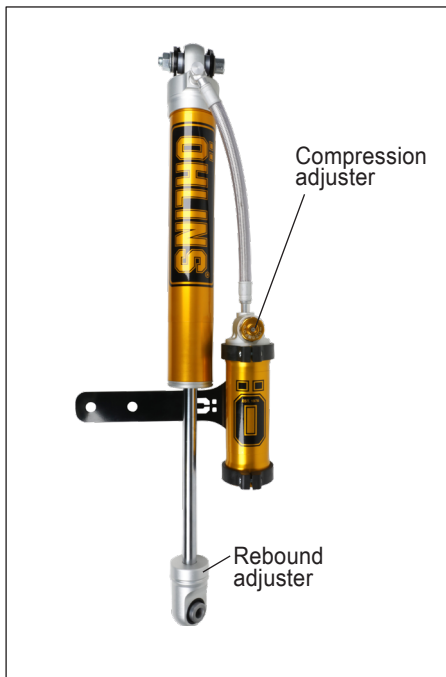
Recommended springs: 3.5-5" lift.

Required bump stop spacers: 4".

Depending on what spring brand you are using and how much weight you have added in terms of accessories (i.e steel bumper, winch) you might need to compensate with a spring spacer. At ride height, we recommend a minimum visible shaft length of 100 mm (approx 4").

⚠ Warning!

Use of the wrong bump stop spacers can cause damage to the shocks, to the vehicle, negative impact on comfort and in loss of shock performance.



Öhlins products are subject to continuous improvement and development, therefore, although these instructions include the most up-to-date information available at the time of printing, minor updates may occur.

To find the latest information contact an Öhlins distributor. Please contact Öhlins if you have any questions regarding the contents in this document.

Part no. MI_JEV MV00_front
Issued 2022-03-29

© Öhlins Racing AB. All rights reserved. Any reprinting or unauthorized use without the written permission of Öhlins Racing AB is prohibited.

Öhlins Racing AB
Box 722
S-194 27 Upplands Väsby, Sweden
Phone +46 8 590 025 00
fax +46 8 590 025 80



www.ohlins.com



Kit Contents			
	Description	Part No	Pcs
1	Shock absorber, rear	JEV 6V00	2
2	Reservoir bracket	25653-02	4
3	M6x30 bolt	01046-61	4

Shock absorber Kit for Jeep Wrangler JK – rear

JEV MV00

Mounting Instructions



MOUNTING INSTRUCTIONS

⚠ Warning!

If working on a raised vehicle, ensure that it is securely supported to prevent it from tipping over.

👁 Note!

When working on this product, see the Vehicle Service Manual for vehicle specific procedures and important data.

1

Lift the vehicle and support the axle. Remove the upper and lower shock bolts and remove the OEM shock absorbers.

👉 Caution!

Make sure the front axle does not drop and stretches the brake hoses.

2 - Spacer installation

Install the shock to the upper position using the 2 OE bolts tightening them to OE torque. Make sure the hose outlet is positioned towards the rear. See fig 1.

3

Install the lower end eye using the OE bolt. Make sure the Rebound adjuster is pointing towards the rear. Tighten to OE torque.

4

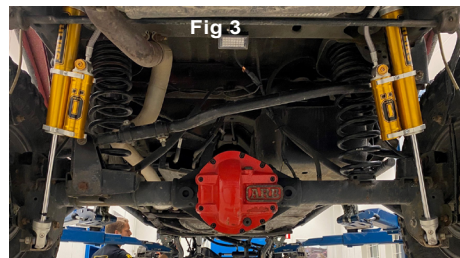
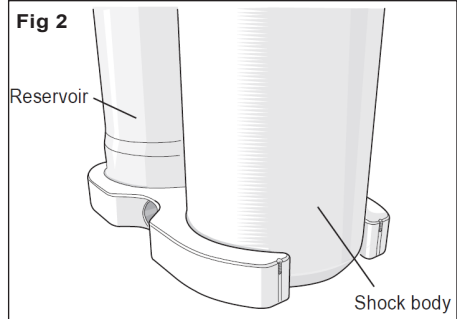
Install the reservoir to the shock body with the supplied reservoir brackets and M6x30 screw. Make sure the edge with a thin groove is positioned to the shock body. See Fig 2.

5

Adjust the reservoir position on the shock body so the compression adjuster is pointing towards the rear for easy access and the hose does not touch the sway bar, exhaust or any moving parts. See fig 3.



Fig 2



MOUNTING INSTRUCTIONS

ADJUSTMENTS

⚠ Warning!

Before driving, always make sure that the basic settings made by Öhlins are according to recommended setup data. Read about adjustments and settings the Öhlins Owner's Manual before you make any adjustments. Contact an Öhlins dealer if you have any questions about setting up.

SETUP DATA

Recommended setups

Paved roads/highway:		
Compression damping	10	clicks
Rebound damping	10	clicks

Gravel roads/ offroad:		
Compression damping	20	clicks
Rebound damping	30	clicks

Recommended springs: 3.5-5" lift.

Required bump stop spacers: 4".

Depending on what spring brand you are using and how much weight you have added in terms of accessories (i.e steel bumper, larger spare tire, roof rack) you might need to compensate with a spring spacer. At ride height, we recommend a minimum visible shaft length of 110 mm (approx 4.5").

⚠ Warning!

Use of the wrong bump stop spacers can cause damage to the shocks, to the vehicle, negative impact on comfort and in loss of shock performance.



Öhlins products are subject to continuous improvement and development, therefore, although these instructions include the most up-to-date information available at the time of printing, minor updates may occur.

To find the latest information contact an Öhlins distributor. Please contact Öhlins if you have any questions regarding the contents in this document.

Part no. MI_JEV MV00_rear
Issued 2022-03-29

© Öhlins Racing AB. All rights reserved. Any reprinting or unauthorized use without the written permission of Öhlins Racing AB is prohibited.

Öhlins Racing AB
Box 722
S-194 27 Upplands Väsby, Sweden
Phone +46 8 590 025 00
fax +46 8 590 025 80



www.ohlins.com